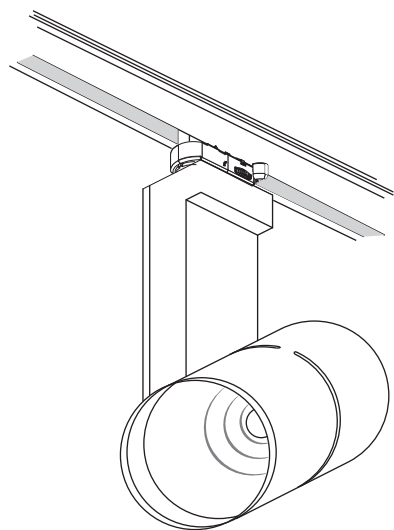


PENDO 1R TR S.S.LED

INSTALLATION INSTRUCTIONS FOR LUMINAIRE PENDO 1R TR S.S.LED

1

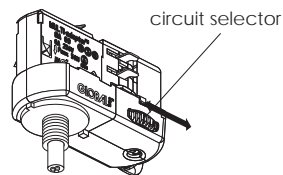


Rotation
Vertical: 90° Horizontal: 360°

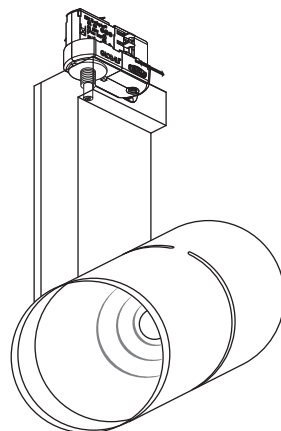
Weight: 2 kgr

Safety
Verify the maximum weight carrying capacity of the track, before installing the spotlight.

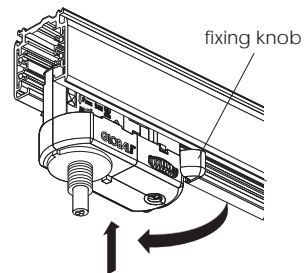
2



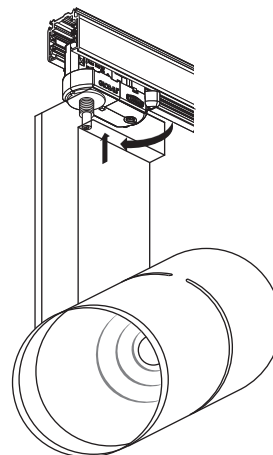
Fit adapter on track. **Notice:** Select 0 circuit



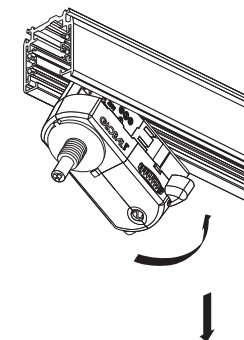
3



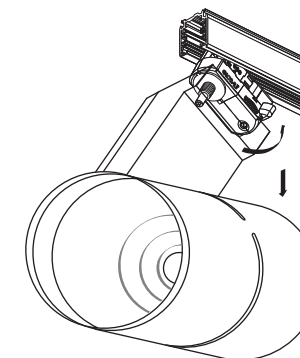
Push the adapter into track till it snaps into place. Turn the mechanical fixing knob. Select the desired circuit.



4



Remove adapter from track. **Notice:** Firstly select "0" circuit.



USER INSTRUCTIONS

- The installation of the unit must be done by a qualified electrician.
- The unit must be earthed in case an earth connecting point exists.
- Ensure that the mains is switched off during servicing.
- Do not use bulb(s) bigger than the indicated on units name-plate or packaging.
- Ensure that after the installation, the unit is properly fixed and the cable clamps (if exist) are well tightened.
- Manufacturer will not accept liability for injury or damage resulting from incorrect use or installation
- The unit is not intended to operate in loop connection.
- Wall plugs and terminals are not included.
- LED modules are replaced only by the manufacturer.

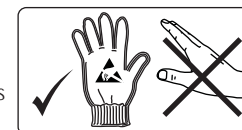
CAUTION

Replace any cracked shield



CAUTION

Wear anti-static gloves before you touch LED systems



Last updated: October 2016