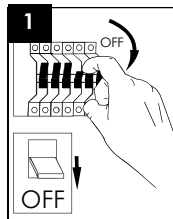
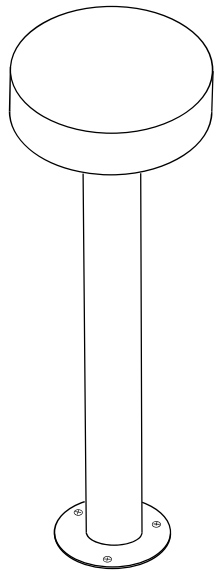
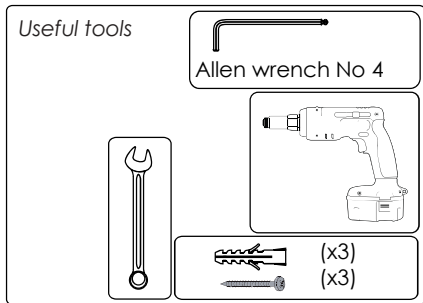
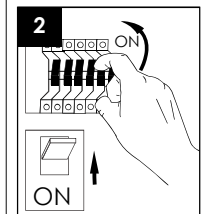
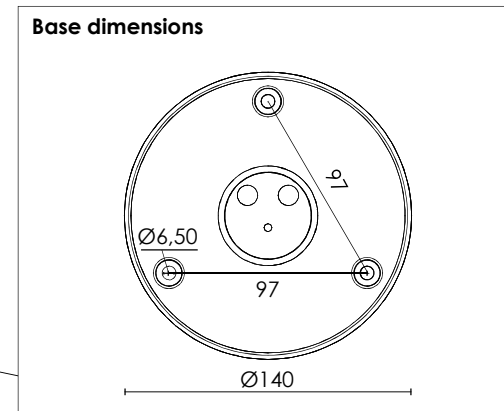
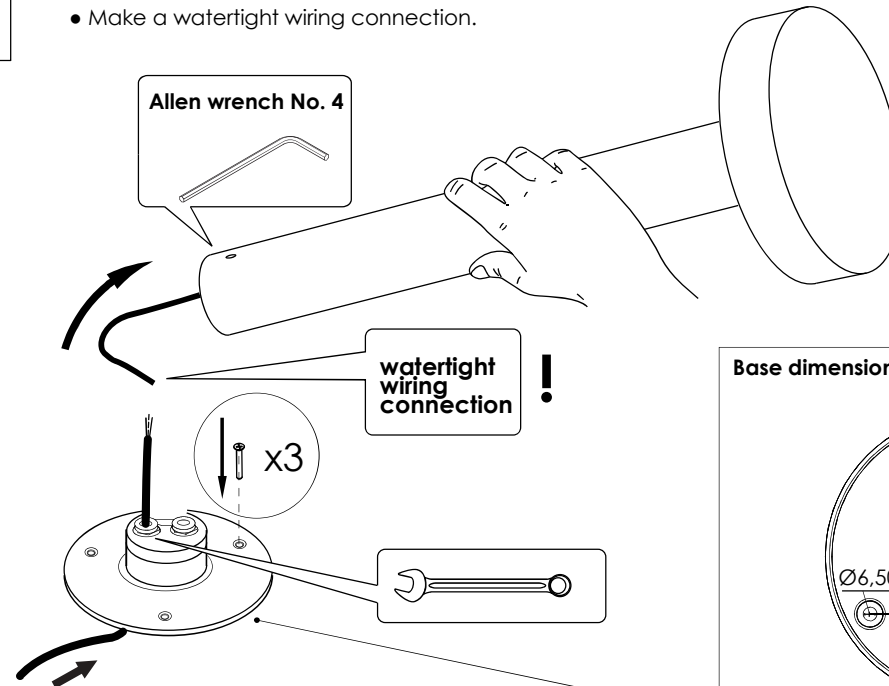


⊕ outdoor/ bollards



### Installation

- Release allen screw and remove the upper part of the luminaire.
- Insert cable through the cable gland.
- Screw luminaire base on the ground with (3) screws.
- Make a watertight wiring connection.



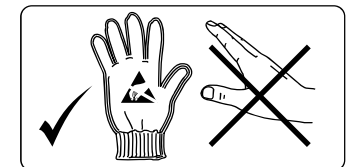
### USER INSTRUCTIONS

- The installation of the unit must be done by a qualified electrician.
- The unit must be earthed in case an earth connecting point exists.
- Ensure that the mains is switched off during servicing.
- Do not use bulb(s) bigger than the indicated on units name-plate or packaging.
- Ensure that after the installation, the unit is properly fixed and the cable clamps (if exist) are well tightened.
- Manufacturer will not accept liability for injury or damage resulting from incorrect use or installation
- The unit is not intended to operate in loop connection.
- Wall plugs and terminals are not included.
- LED modules are replaced only by the manufacturer.

### CAUTION

**IP65**

Wear anti-static gloves before you touch LED systems



### Factory